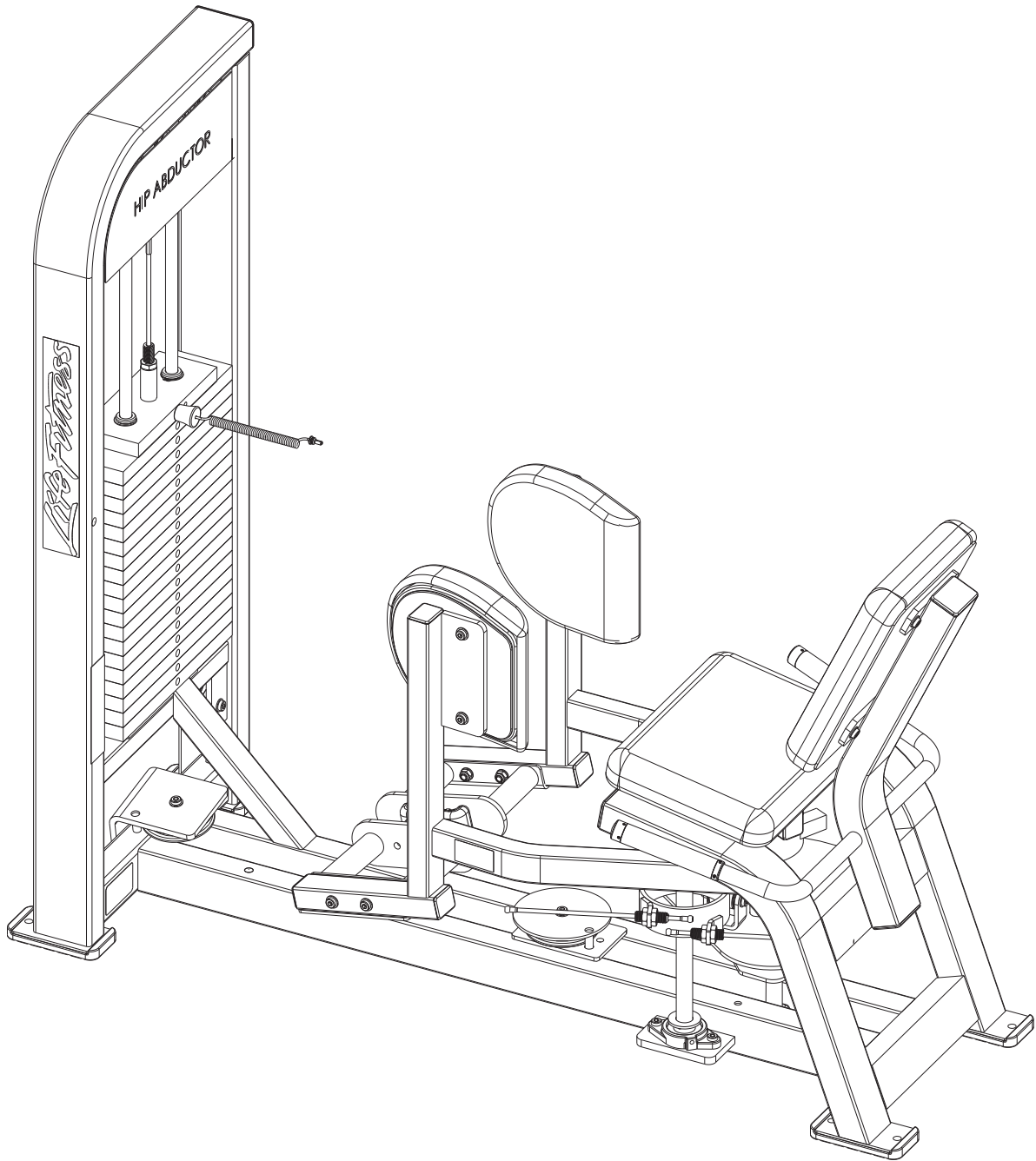




PRO 2 SERIES
PSHAB HIP ABDUCTION

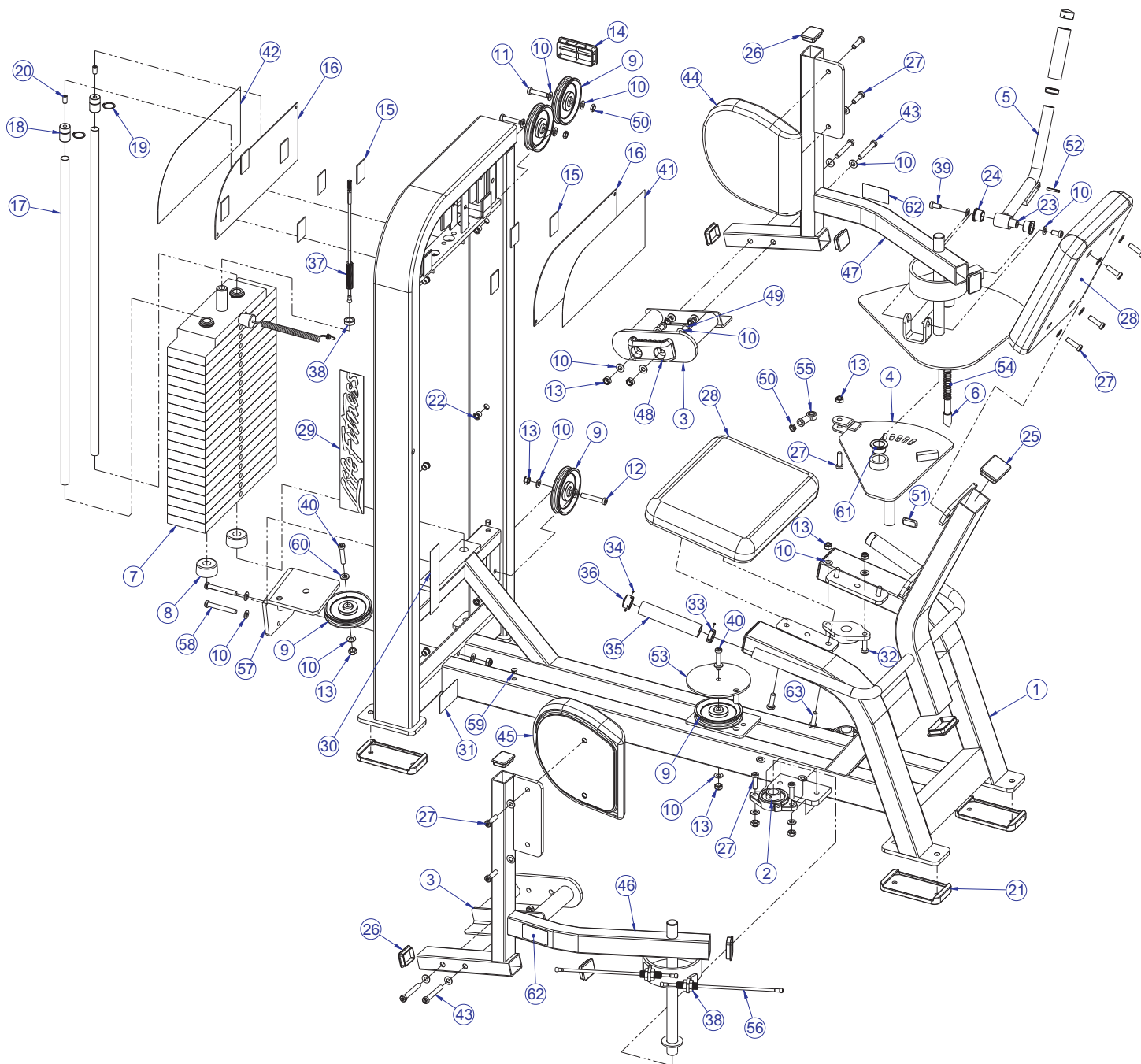


Customer Support Services
PARTS MANUAL

PSHAB HIP ABDUCTION CONTENTS

COMPONENT ASSEMBLY	3
COMPONENT ASSEMBLY LEGEND	4
ADD-ON INCREMENT WEIGHT ASSEMBLY	5
WEIGHT STACK (300lb)	6
OPTIONAL REAR SHROUD KIT	7
CABLE ROUTING	8

PSHAB HIP ABDUCTION COMPONENT ASSEMBLY

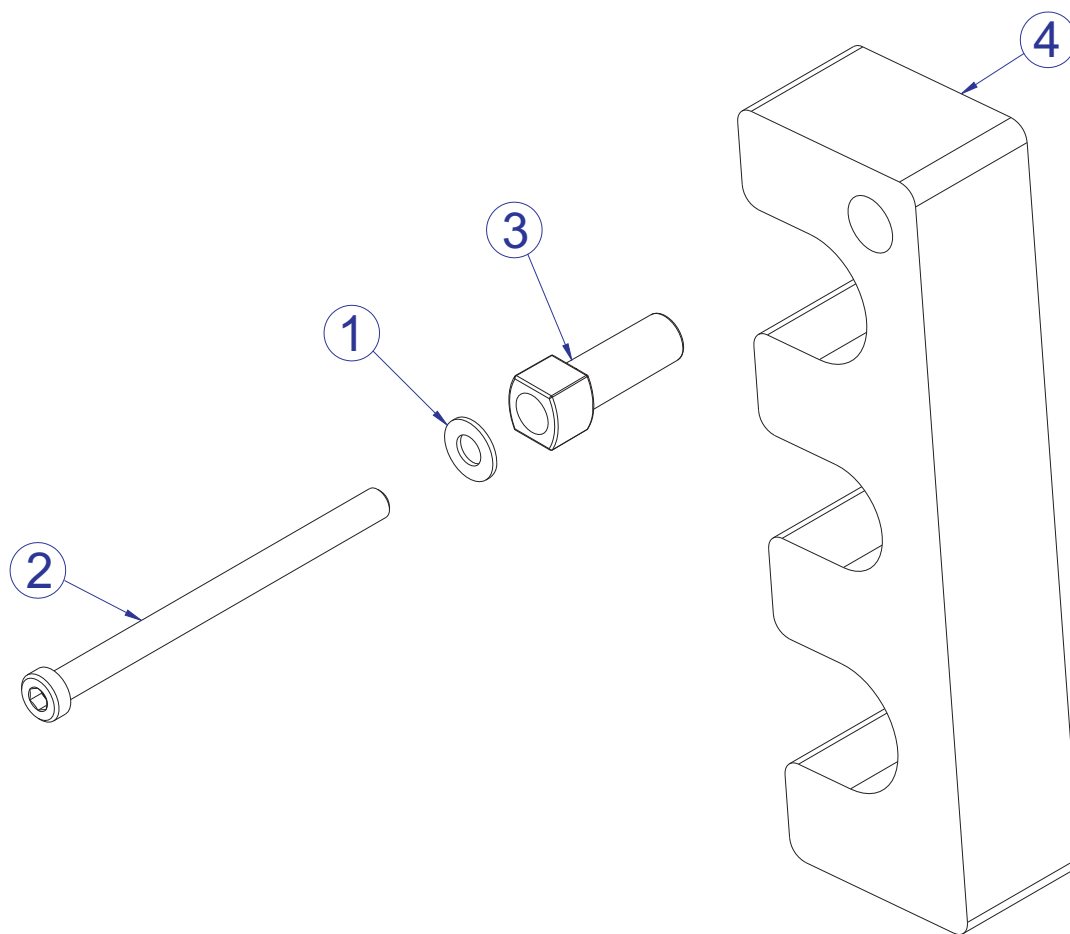
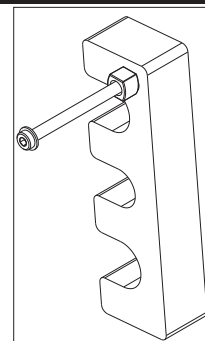


SEE PAGE 4 FOR LEGEND

PSHAB HIP ABDUCTION COMPONENT ASSEMBLY LEGEND

ITEM NO.	QTY.	PART NO.	DESCRIPTION
1	1	7546901	WLDMT, PSHAB/HAD MAIN FRAME
2	4	3237701	ASSY, PILLOW BLOCK 4.88 X 2.75
3	2	7551101	WLDMT, FOOT SUPPORT
4	1	7561401	WLDMT, CAM PSHAB
5	1	7551501	WLDMT, ADJUST HANDLE PSHAD/HAB
6	1	7549901	PIN, SPRING PSHAD/HAB
7	1	7353501	ASSY, 300LB STACK
8	2	7352101	CUSHION, WEIGHT STACK
9	5	3237801	PULLEY, 4.5" OD
10	45	3236601	WASHER, 3/8 SAE SS
11	2	3236206	SCREW, M10 X1.5 45MM
12	1	3236209	SCREW, M10 X1.5 60MM
13	20	3236801	NUT, M10 HEX NYLOCK SS
14	1	7352401	CAP, END 2 X 4
15	12	7544202	PAD, DUAL LOCK 250 1.5" X 2.0"
16	2	7606602	COVER, STACK-PRO2 STD
17	2	7328614	GUIDE ROD, .75 OD SOLID 35.38
18	2	7402301	RETAINER, GUIDEROD
19	2	3232421	RING, BRE .940, 5100-100 ST PP B
20	2	3240501	M10 X 1.5 HXS NO CUP ST BO
21	4	7388201	FOOTPAD, PS RUBBER
22	6	3238101	NUT, BLIND INSERT M10 X 1.5
23	1	7324802	SHAFT, TAPPED 0.75 DIA X 1.800
24	2	3104901	.75" ID 1.00" OD BRONZE BUSHING
25	4	7352301	CAP, END 2 X 3
26	8	7352201	CAP, END 1-1/2 X 2
27	13	3236204	SCREW, M10 X1.5 35MM
28	2	74221xx	PAD, BACK 15 X 11-1/4
29	1	7348001	LABEL, LIFE FITNESS LOGO
30	1	7422004	LABEL, 2" ASTM WARN
31	1	7571301	LABEL, SERIAL NUMBER
32	4	3236203	SCREW, M10 X1.5 30MM
33	3	7662801	RING, GRIP 1.25 OD
34	12	3247701	M4 X .7 HXS NO CUP ST BO
35	3	3235801	GRIP, TBC
36	3	7662901	CAP, GRIP 1.25 OD
37	1	7423611	CABLE, PSHAB
38	5	3236902	NUT, M16 X 2 HEX JAM SS
39	2	3236201	SCREW, M10 X1.5 20MM
40	2	3236207	SCREW, M10 X1.5 50MM
41	1	7562101	LABEL, PSHAB PLACARD
42	1	7562201	LABEL, PSHAB LOGO PANEL
43	4	3236211	SCREW, M10 X1.5 70MM
44	1	75495xx	PAD, HIP ADDUCTOR LH
45	1	75496xx	PAD, HIP ADDUCTOR RH
46	1	7561201	WLDMT, PIVOT ARM LEFT PSHAB
47	1	7561301	WLDMT, PIVOT ARM RIGHT PSHAB
48	1	7352001	BUMPER, 2-1/8 X 4-5/8
49	2	3236205	SCREW, M10 X1.5 40MM
50	3	3236901	NUT, M10 X 1.5 JAM
51	1	7570801	GUARD, PAINT 1.25"x.75"x.25"
52	1	3110011	ROLL PIN, 3/16 X 1-1/4
53	1	7511901	WLDMT, PSHAB PULLEY PLATE
54	1	7351501	SPRING; PULL PIN LARGE
55	1	3237901	ROD END, METRIC FEMALE
56	2	7573701	CABLE, PSHAD/HAB
57	1	7573801	WLDMT, PSHAD/HAB PULLEY BRKT
58	2	3236212	SCREW, M10 X1.5 75MM
59	15	3237401	PLUG, 7/16" HOLE
60	1	7348101	WASHER, SPACER
61	2	3104903	1.00" ID 1.25" OD BRONZ BUSHING
62	2	7422003	LABEL, MOVING PARTS
63	4	3251200	SCREW, M10 X1.5 X 35MM UNS HEX

PSHAB HIP ABDUCTION ADD-ON INCREMENT WEIGHT ASSEMBLY - 7415001

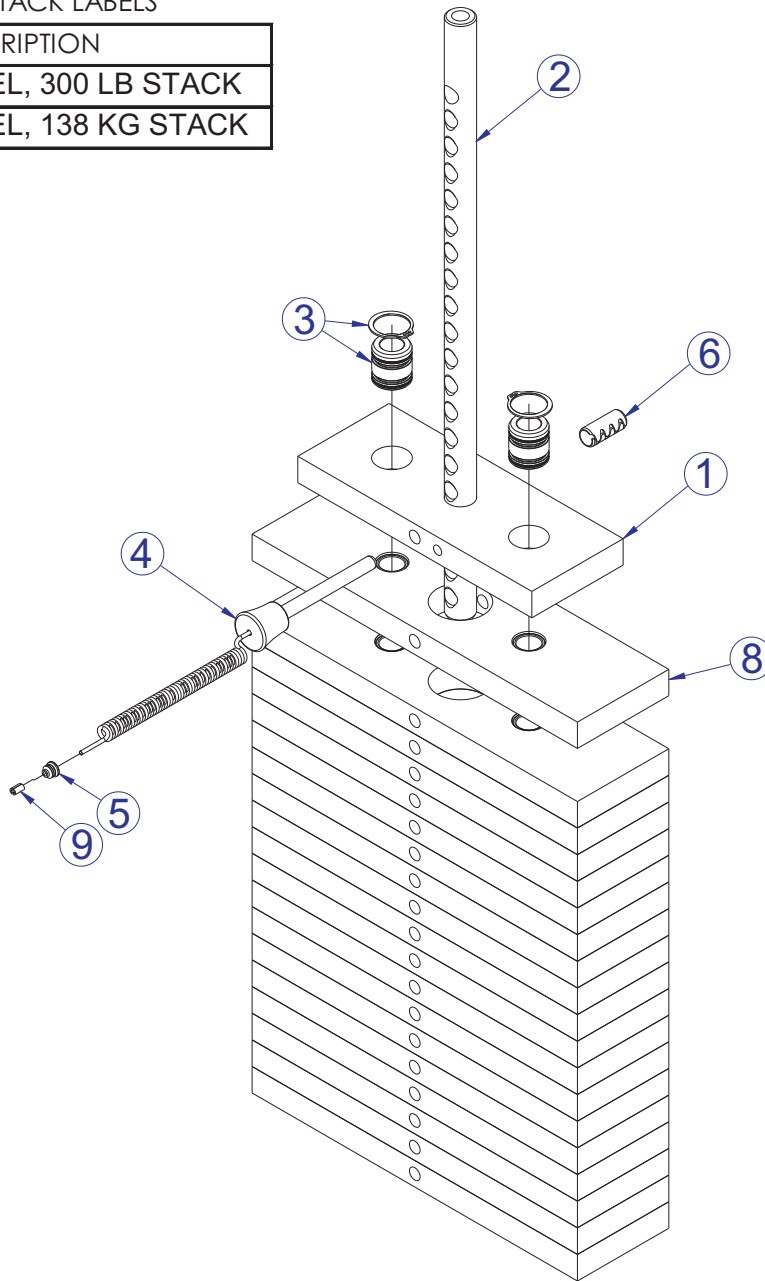
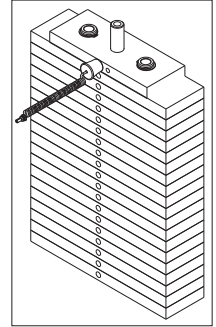


ITEM NO.	QTY.	PART NO.	DESCRIPTION
1	1	3236601	WASHER, 3/8 SAE SS
2	1	3236221	SCREW, M10 X1.5 140MM
3	1	7401701	COVER, PLASTIC PEG 2-1/4
4	1	7366101	WEIGHT, 7.5 LB. ADD-ON

PSHAB HIP ABDUCTION WEIGHT STACK ASSY 300LB - 7353501

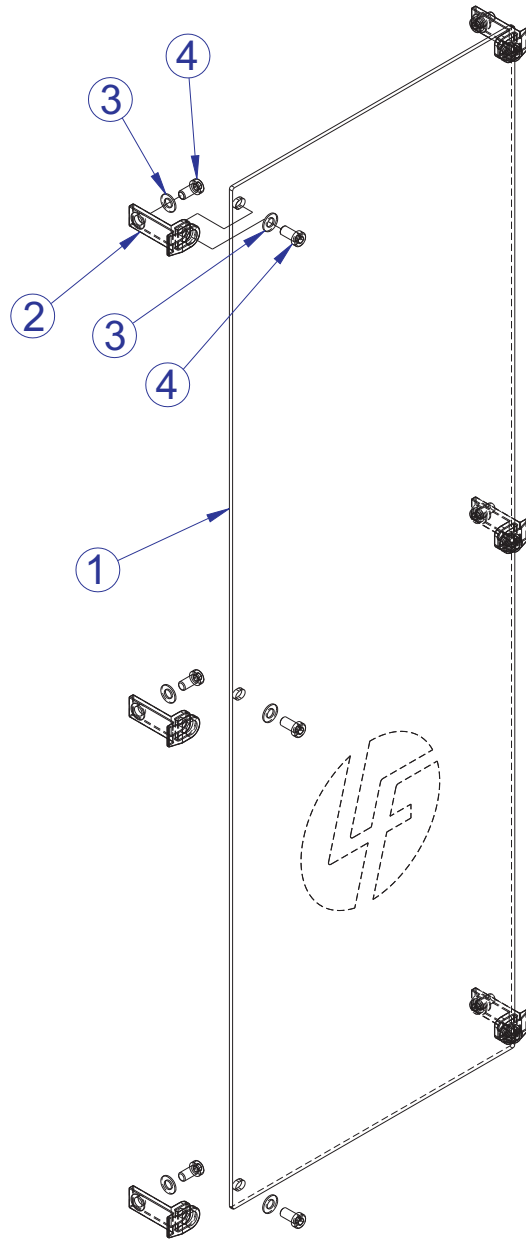
WEIGHT STACK LABELS

PART NO.	DESCRIPTION
7987201	LABEL, 300 LB STACK
7987401	LABEL, 138 KG STACK



ITEM NO.	QTY.	PART NO.	DESCRIPTION
1	1	7353901	HEADPLATE, WT. STACK
2	1	7356600	STEM, PRO2 19 HOLE
3	2	7338001	BUSHING, HEADPLATE
4	1	7353001	ASSY, SELECTOR PIN
5	1	7356501	PLUG, LANYARD ATTACHMENT
6	1	3236001	BUSHING, SPRING PIN
8	19	7353801	ASSY, 15 LB PLATE
9	1	7523601	CRIMP, CABLE

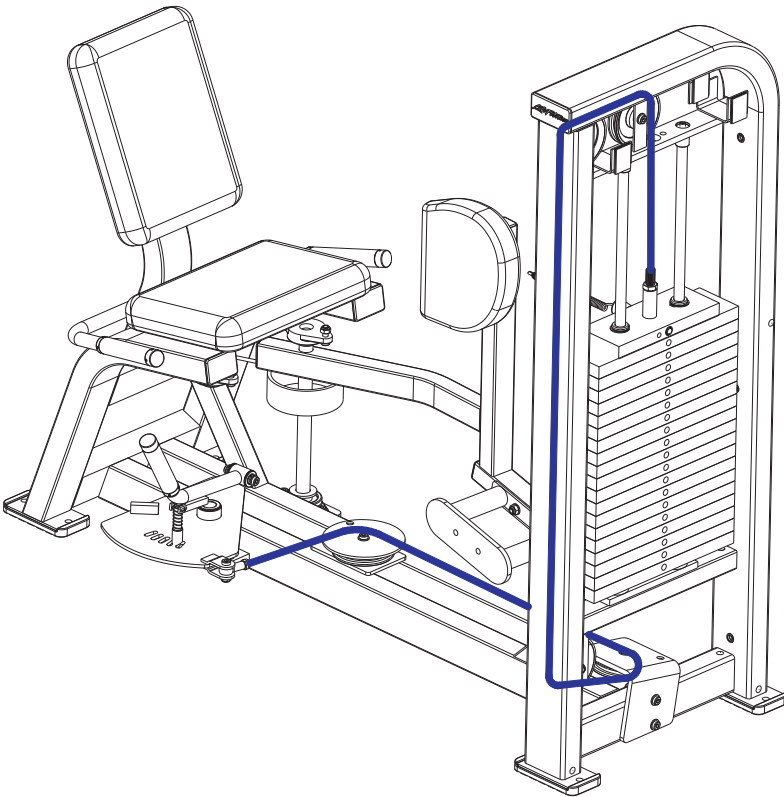
PSHAB HIP ABDUCTION OPTIONAL REAR SHROUD KIT STD-SHORT - 7415201



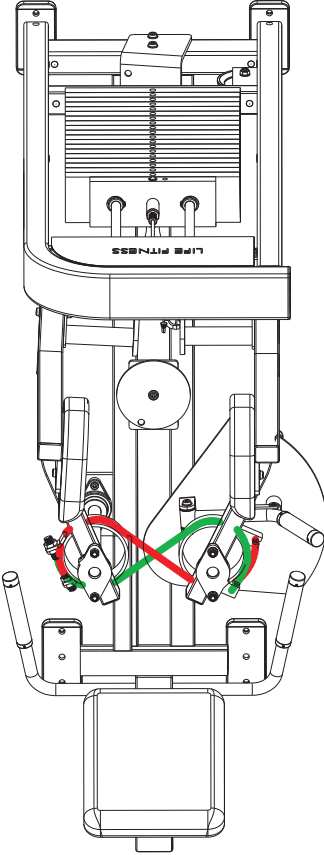
ITEM NO.	QTY.	PART NO.	DESCRIPTION
1	1	8352401	SHROUD, PS REAR 42.5 X 16.43
2	6	7655301	BRACKET, PS REAR SHIELD
3	12	3236601	WASHER, 3/8 SAE SS
4	12	3236201	SCREW, M10 X1.5 20MM

PSHAB HIP ABDUCTION CABLE ROUTING

(components removed for views)



7423611 Stack cable



7573701 Figure 8 cables
(Qty. 2)